

## Stainless Steel-Locking pins

with axial lock (Ball retainer)

### SPECIFICATION

Pin  
Stainless Steel AISI 303

Knob  
Plastic Technopolymer (Polyamide PA)

- black-grey
- temperature resistant up to 80 °C

Ball  
Stainless Steel AISI 420C

Spring  
Stainless Steel AISI 631

### INFORMATION

GN 124.2 Stainless Steel-Locking pins are used for quick fixing, connecting and locking of various jig and fixture systems.

The locking balls are held in position by a pressure spring and are therefore not rigidly locked. The bolts can be quickly and easily inserted and removed from the locating hole.

The rated shear stresses of the bolt cross-section are theoretical guide values only and do not constitute any warranty. They constitute no general warranty of quality and condition. The user must determine from case to case whether a product is suitable for the intended use.

This standard replaces the previous Stainless Steel-Locking pins GN 124.

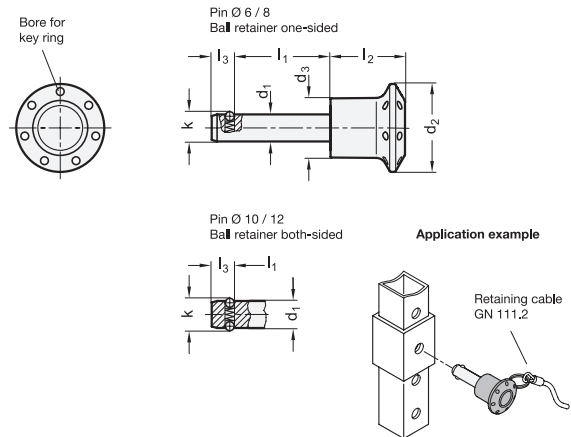
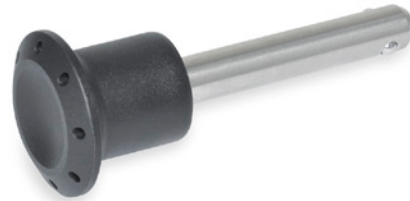
- Range of locking pins (see page 868)

### ACCESSORY

- Stainless Steel-Ball chains GN 111.5 (see page 905)
- Retaining cables GN 111.2 (see page 906)

### TECHNICAL INFORMATION

- Stainless Steel characteristics (see page A26)
- Plastic characteristics (see page A2)



### GN 124.2

STAINLESS STEEL

Description	d1 -0.04/-0.08	l1	d2	d3	k	l2	l3	Location bore	Axial holding force in N ≈	Load in kN ≈ (Double sided shear force) according DIN 50141	⚖️
GN 124.2-6-10	6	10	26	17.5	6.5	22	5	6	8	22	13
GN 124.2-6-15	6	15	26	17.5	6.5	22	5	6	8	22	15
GN 124.2-6-20	6	20	26	17.5	6.5	22	5	6	8	22	16
GN 124.2-6-25	6	25	26	17.5	6.5	22	5	6	8	22	16
GN 124.2-6-30	6	30	26	17.5	6.5	22	5	6	8	22	19
GN 124.2-6-50	6	50	26	17.5	6.5	22	5	6	8	22	19
GN 124.2-8-15	8	15	26	17.5	8.7	22	6.3	8	15	40	19
GN 124.2-8-20	8	20	26	17.5	8.7	22	6.3	8	15	40	19
GN 124.2-8-25	8	25	26	17.5	8.7	22	6.3	8	15	40	20
GN 124.2-8-30	8	30	26	17.5	8.7	22	6.3	8	15	40	25
GN 124.2-8-50	8	50	26	17.5	8.7	22	6.3	8	15	40	33
GN 124.2-10-15	10	15	34	23	12	28.5	8.7	10	30	62	39
GN 124.2-10-20	10	20	34	23	12	28.5	8.7	10	30	62	42
GN 124.2-10-25	10	25	34	23	12	28.5	8.7	10	30	62	45
GN 124.2-10-30	10	30	34	23	12	28.5	8.7	10	30	62	48
GN 124.2-10-50	10	50	34	23	12	28.5	8.7	10	30	62	59
GN 124.2-12-20	12	20	34	23	14.5	28.5	9.5	12	32	90	51
GN 124.2-12-30	12	30	34	23	14.5	28.5	9.5	12	32	90	59
GN 124.2-12-40	12	40	34	23	14.5	28.5	9.5	12	32	90	68
GN 124.2-12-50	12	50	34	23	14.5	28.5	9.5	12	32	90	75



8 Indexing elements